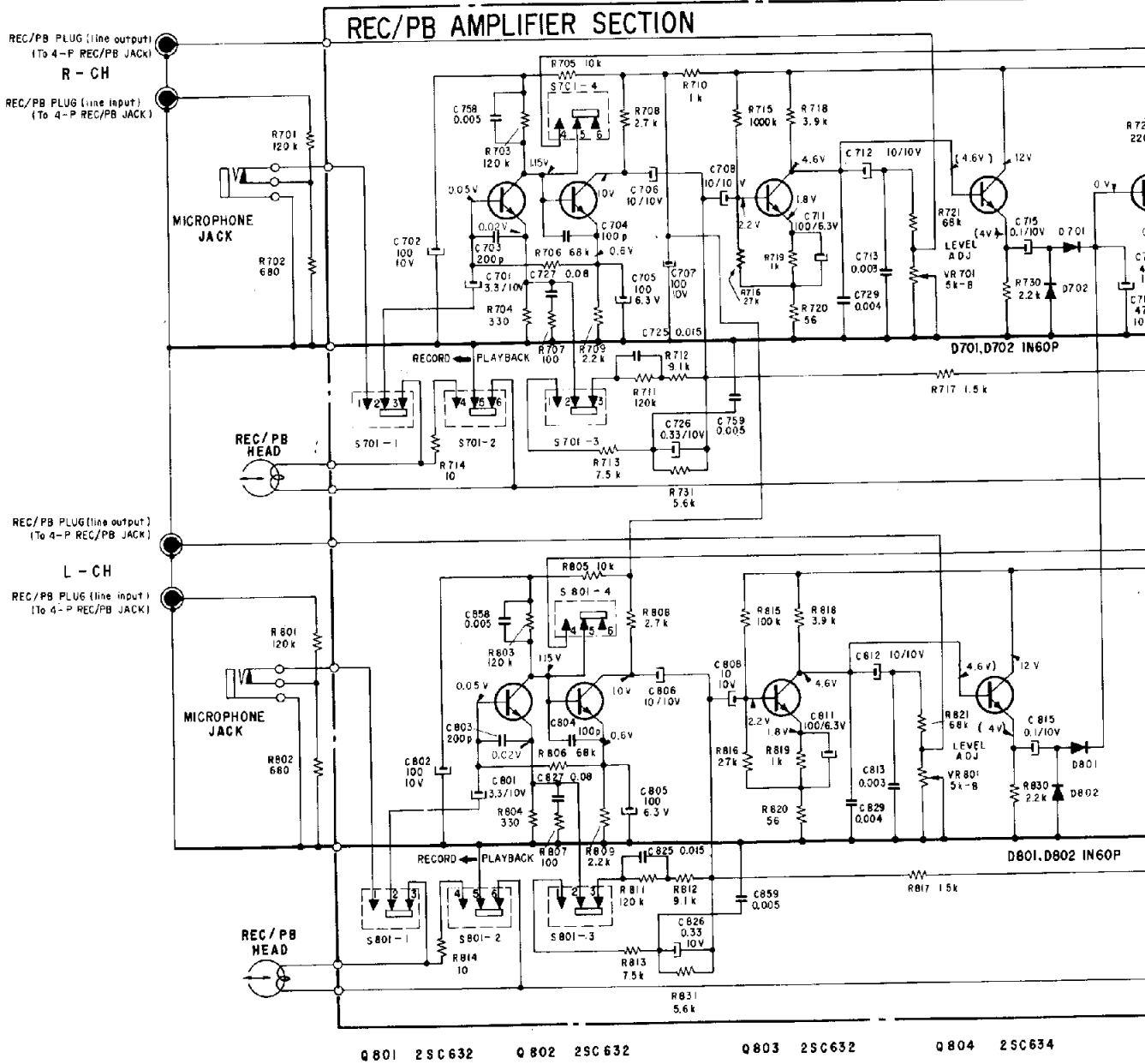


5-2. SCHEMATIC DIAGRAM

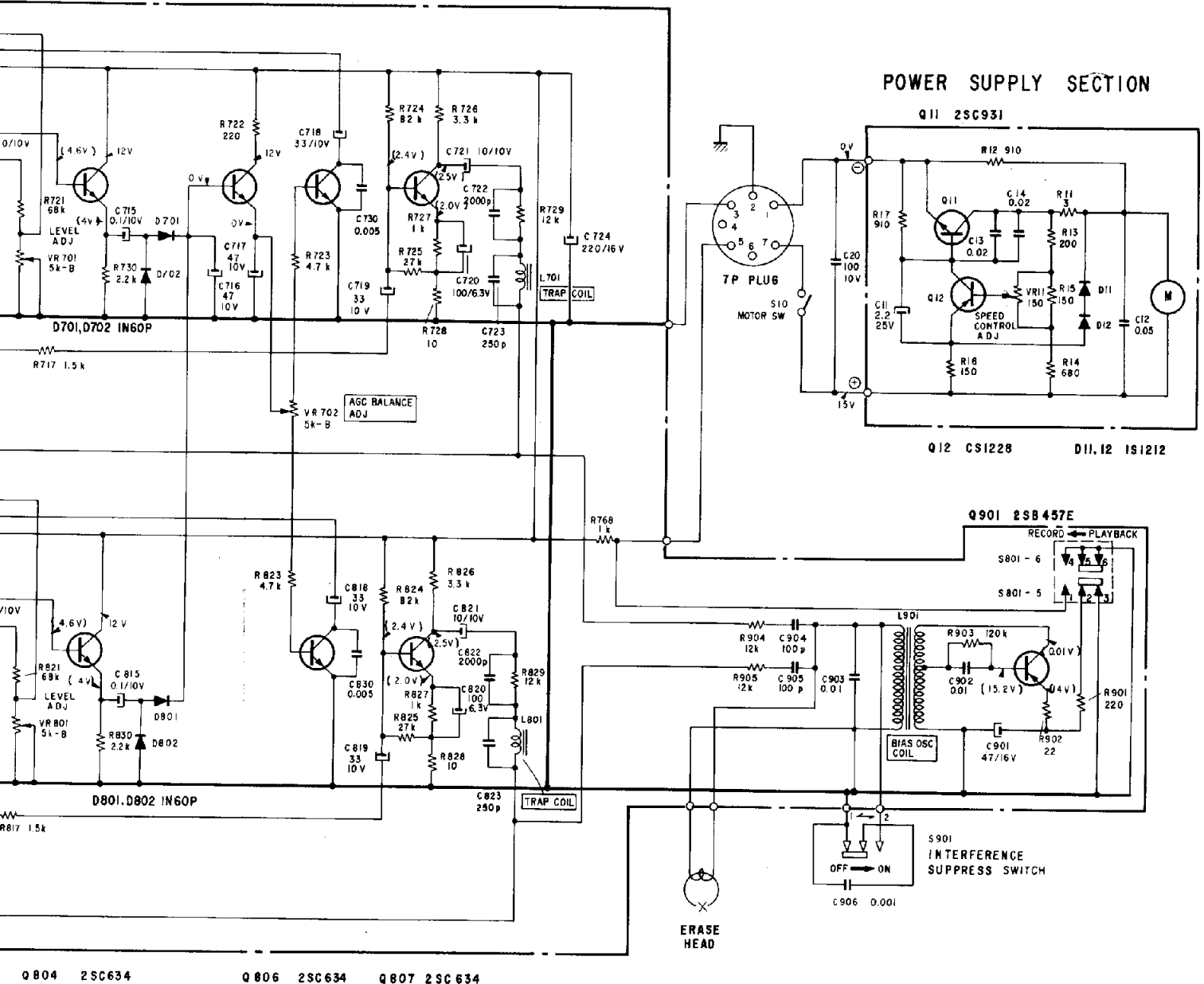
Q 701 2SC632 Q 702 2SC632 Q 703 2SC632 Q 704 2SC634 Q 705



Q 801 2SC632 Q 802 2SC632 Q 803 2SC632 Q 804 2SC634

Ref. No.	Description	Position
S701-1~4 S801-1~6	REC/PB CHANGEOVER SW (PLAYBACK-RECORD)	PLAYBACK

Q704 2SC634 Q705 2SC634 Q706 2SC634 Q707 2SC634



Q804 2SC634 Q806 2SC634 Q807 2SC634

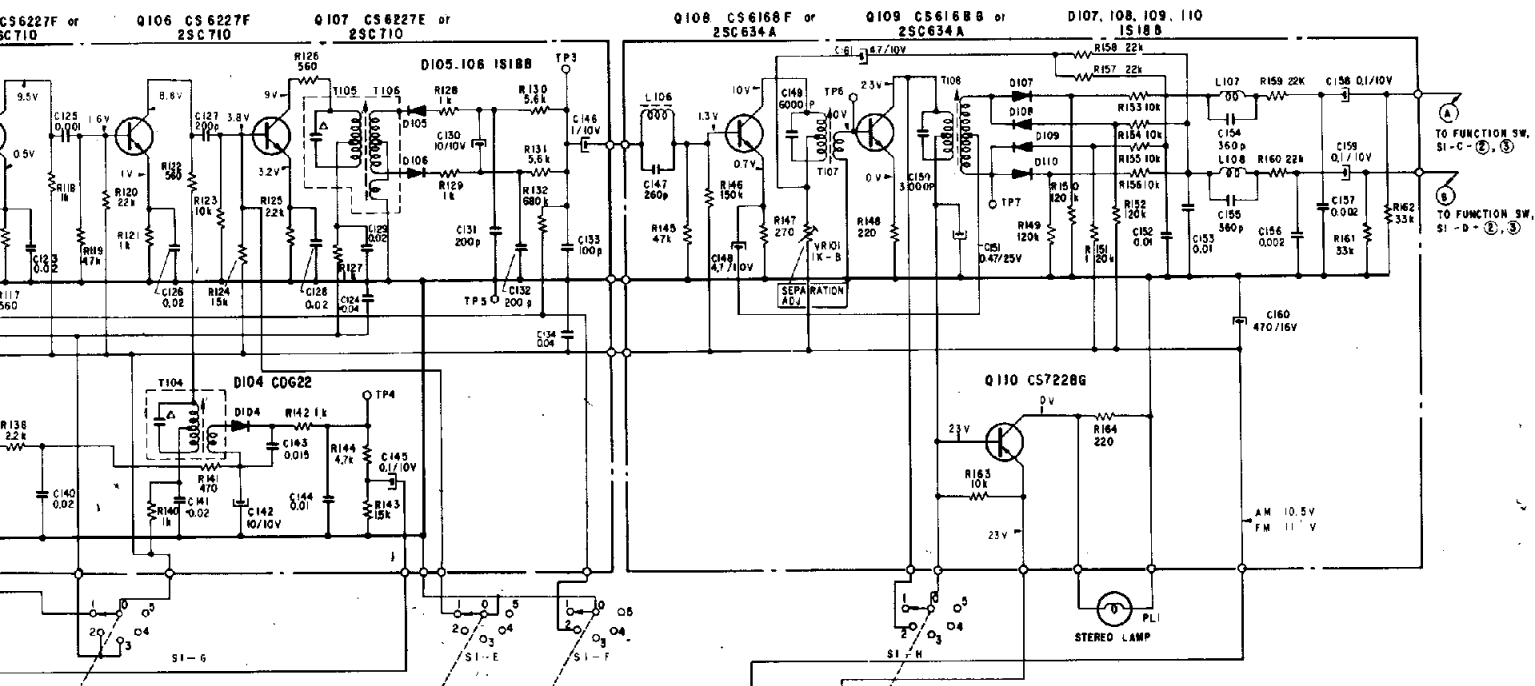
Note:

All resistance values are in ohms. k=1000, M=1000k
 All capacitance values are in μF except as indicated with p, which means μF .
 All voltages represent an average value and should hold within $\pm 20\%$.
 Voltages are dc measured with a VOM (DC 20k ohms/V) in playback mode. Voltages in () are measured in record mode.

SONY®
TC-149

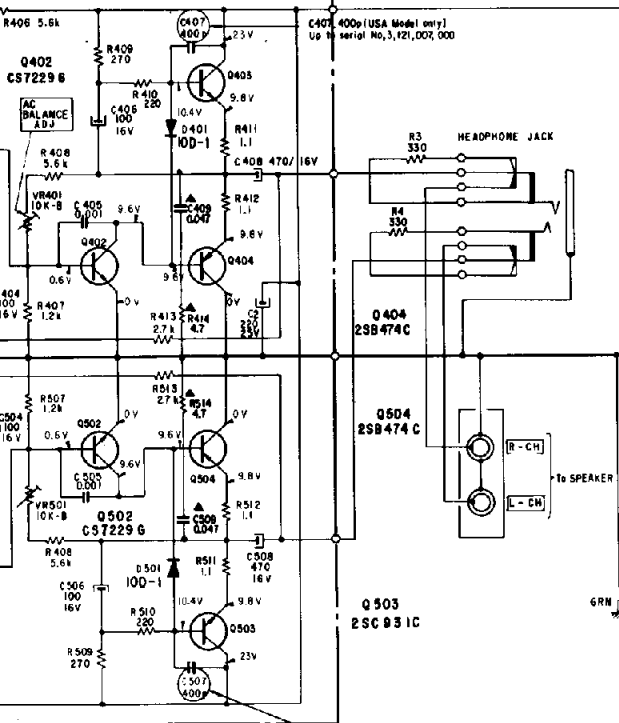
CONV. I-F AMP SECTION

MPX DECODER SECTION

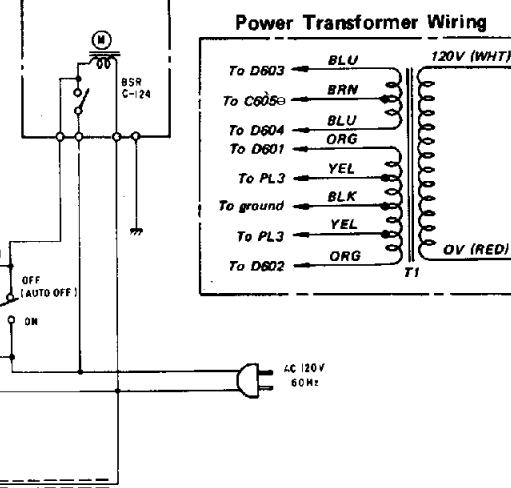


AMPLIFIER SECTION

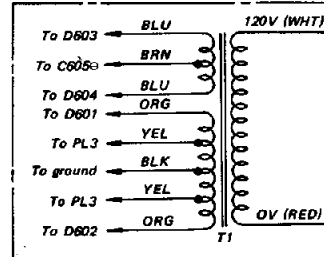
Q403 2SC931C



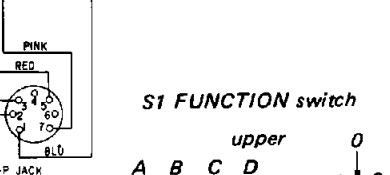
RECORD CHANGER



Power Transformer Wiring

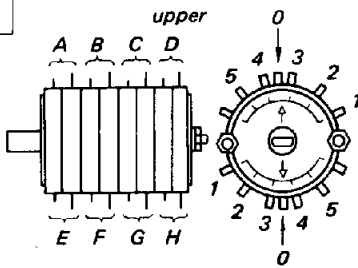


POWER SUPPLY SECTION



Note: All resistance values are in ohms. k = 1000
M = 1000k
All capacitance values are in μ F except as indicated with p, which means μ F.
All voltages represent an average value and should hold within $\pm 20\%$.
All voltages are dc measured with a VOM (D.C. 20k ohms/V) at no signal.

S1 FUNCTION switch



▲ Canada Model.....installed in all sets
USA Model (Serial No. 3,121,007,001 and later)

Position	AM
----------	----